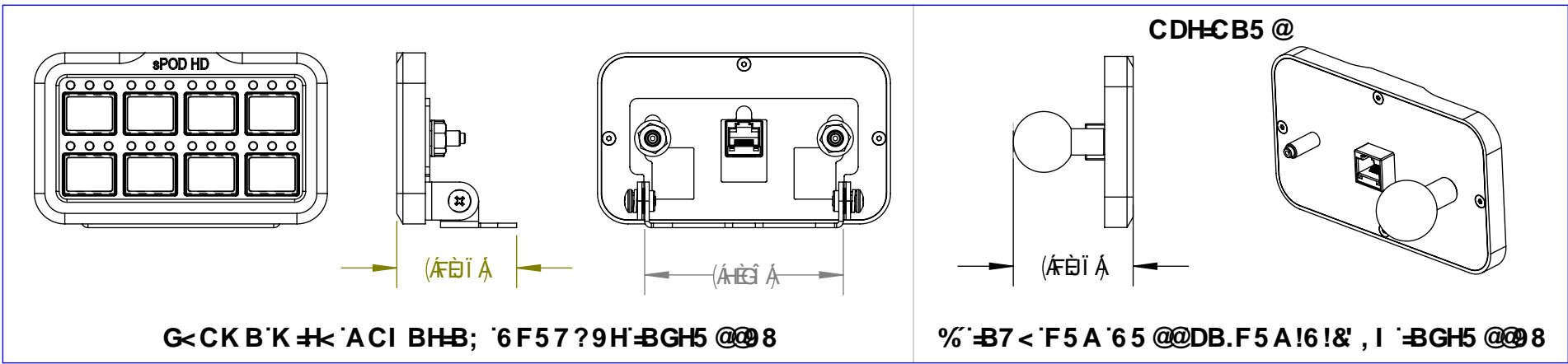
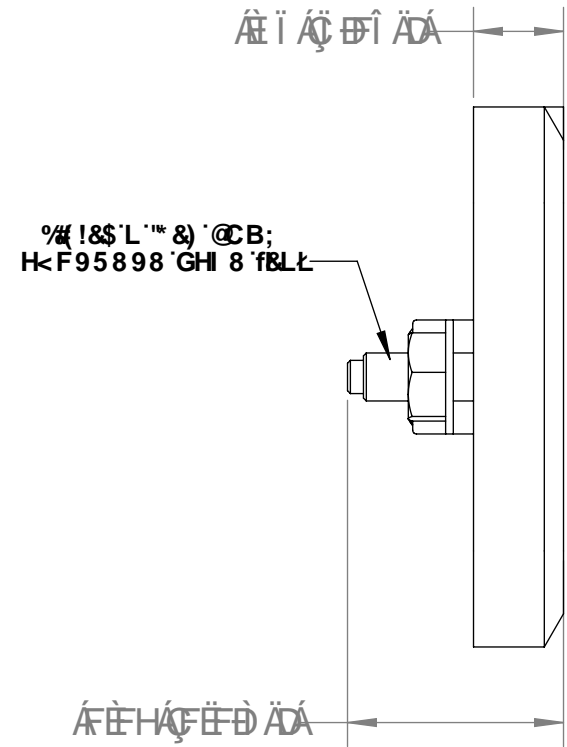
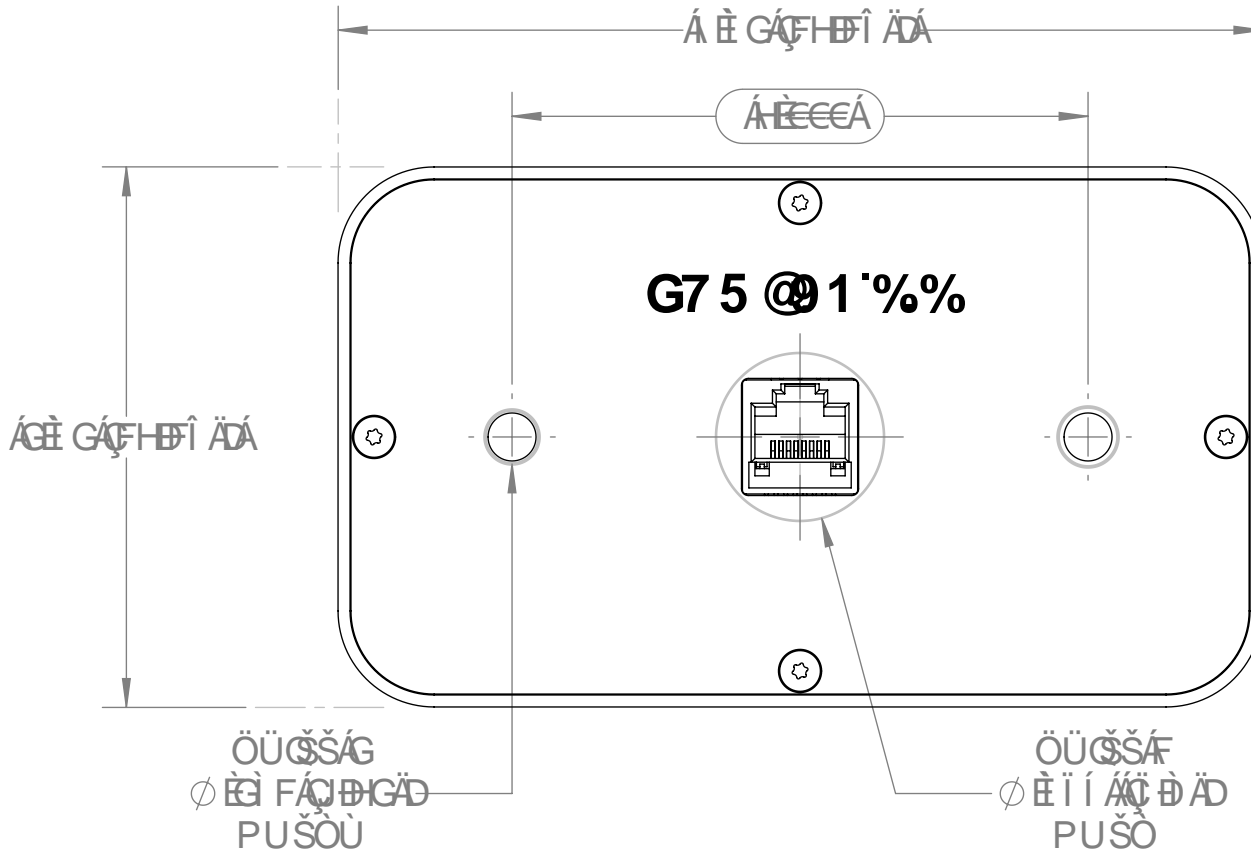


gDC8 < 8 D5 B9 @
 GI F: 579 ACI BH CDH CB



71 HCI H5 B8 H5 D9 B D @ 79 5 B8
 I G9 H5 G5 8 F @ H9 A D @ H9
 CF 5 G5 ; I 89 HC A5 F ? H < 9
 5 F95 HC 69 71 H



G < CK B ' K H < ACI BH B ; ' 6 F 5 7 ? 9 H B G H 5 @ @ 8

% ' B 7 < ' F 5 A ' 6 5 @ @ DB . F 5 A ! 6 ! & , I ' B G H 5 @ @ 8