

INSTALLATION INSTRUCTIONS

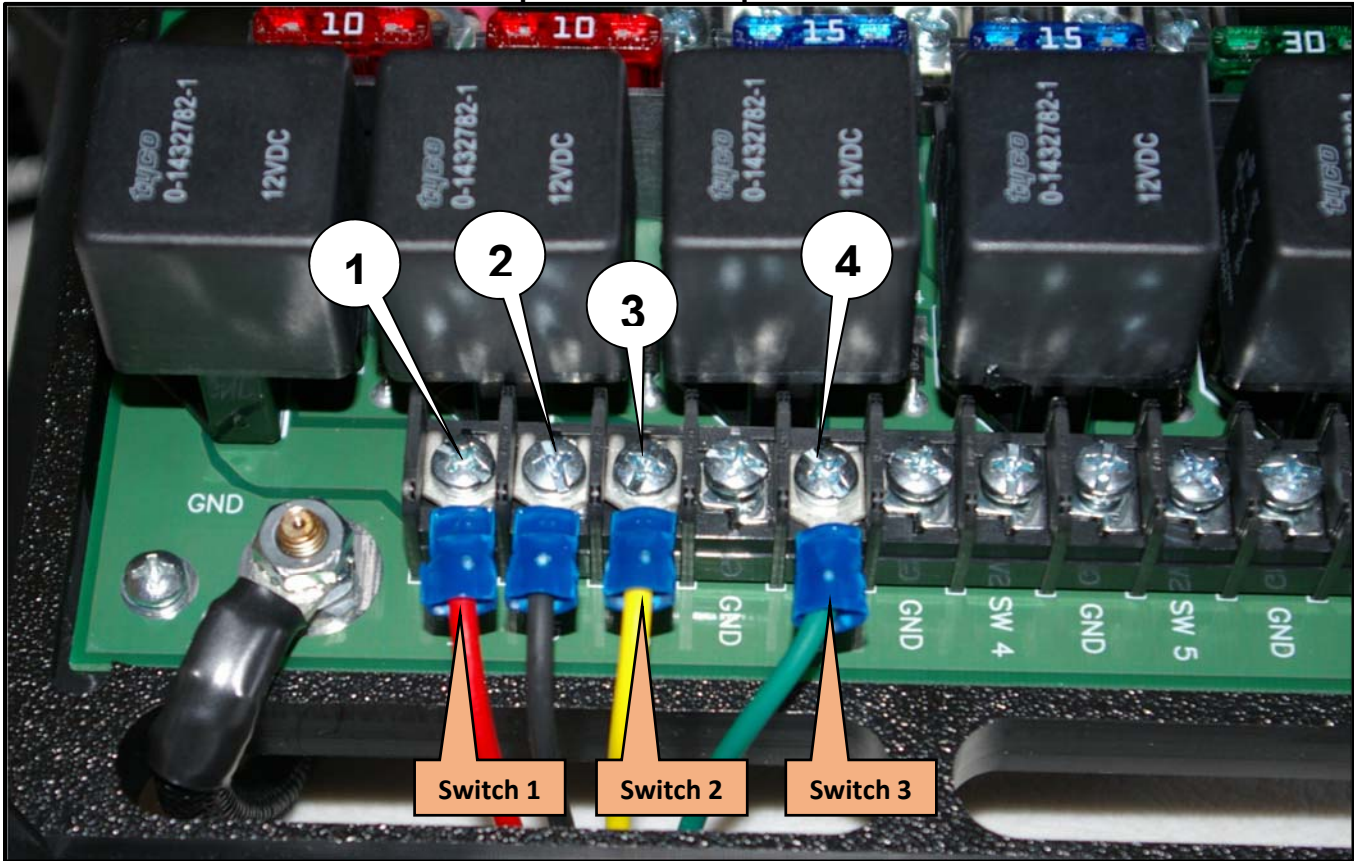
ARB Adapter Harness

Revision 2.0

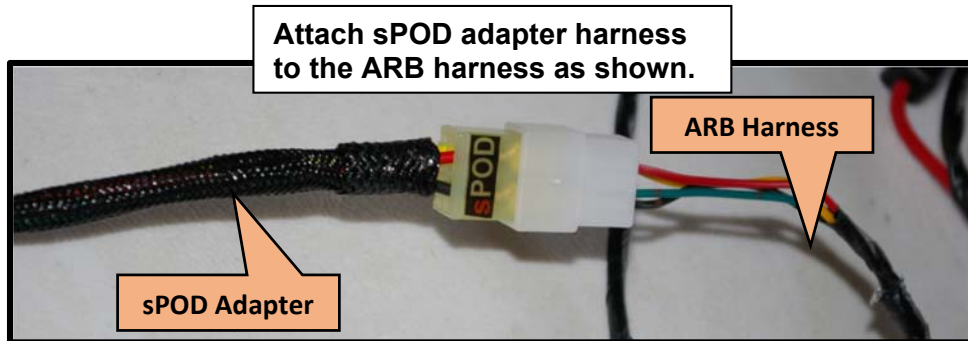


TOOLS REUIRED

- Phillips head screw driver
- Three 5AMP fuses will be required for the 3 positions



1. **RED**: Isolating switch/compressor positive lead
2. **BLACK**: Ground
3. **YELLOW**: Front locker
4. **GREEN**: Rear locker



The adapter replaces this section of the ARB harness

